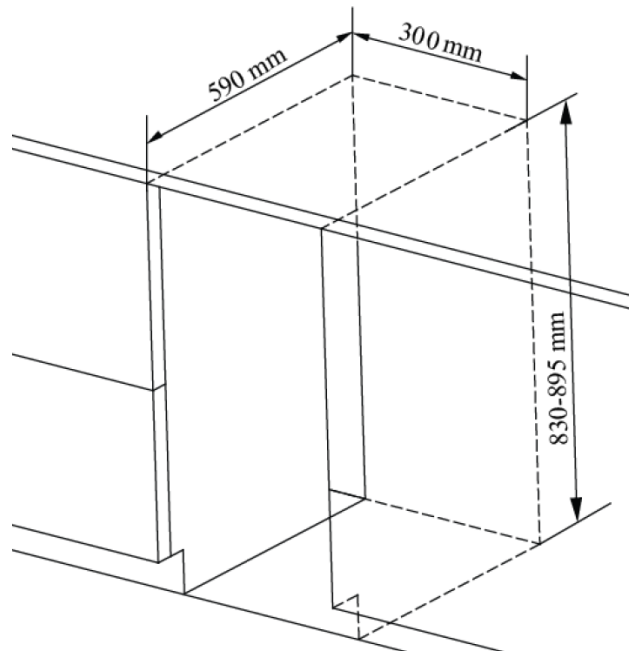




STRONG KNOWHOW
QUALITY PRODUCTS

Witt Wine Cabinet WCU3082-1BG 82cm, Built under



Witt WCU3082-1BG

- Energy class: F
- Energy consumption pr. year: 96kWh
- Sound level dB(A): 40
- 20 bottles
- Capacity, litre, 50
- LED strip
- 1 zones, 5-20°C
- Clima class: N
- 5 wooden shelves
- Black hidden handle
- Reversible door
- Memory function
- Door & Temperature alarm
- 2-layer UV glass on door
- For built under
- Dimensions (HWD): 820x295x570mm
- Niche: (HWD): 830-895x300x590mm
- Material: Blackpainted steel / Black glass door

